

CRYSTAL UNIT

YSX1612SL Small Size

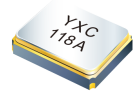


Applications

- SmartWearable TWS IOT Communication.

Features

- Dimensions:1.60 x 1.20 x 0.35 mm.
- Standard Frequency:24~60MHz
- High precision and high frequency stability.
- Excellent heat resistance and environmental characteristics.



Specifications

| | |
|--|--------------------------------|
| Standard Frequency | 24~60 MHz |
| Vibration Mode | AT Fundamental |
| Load Capacitance | 8pF,9pF,12pF,or specify |
| Frequency Tolerance (at 25) | ±10ppm,±20ppm,or specify |
| Frequency Versus Temperature Characteristics | ±20ppm,or specify |
| Operating Temperature | -20~+70℃, -40~+85℃, or specify |
| Storage Temperature | -40~+85℃, or specify |
| Shunt Capacitance | 3 pF Max. |
| Level of Drive | 100 μWMax. |
| Aging (at 25 ℃) | ±2ppm/year Max. |

Equivalent Series Resistance(ESR)

| Fundamental | |
|-------------|------------|
| 32 ~ 40 MHz | 150 Ω Max. |
| 41 ~ 60 MHz | 100 Ω Max. |

Dimensions and Patterns [unit:mm]

Package Size – Dimensions (Unit: mm)

The technical drawings include:

- Top View:** Shows a square package with dimensions 1.60±0.10 mm by 1.20±0.10 mm. Corners are numbered 1, 2, 3, 4. A 'Marking' area is indicated.
- Side View:** Shows the package thickness as 0.35±0.05 mm.
- Bottom View:** Shows the pad layout with dimensions 0.50 mm between pads and 0.30 mm from the edge.
- Top View Crystal Connection:** Shows the internal connection pattern with GND pads at corners 1 and 3.
- Top View Suggested Layout:** Shows the pad dimensions: 0.75 mm for the outer pads, 0.30 mm for the central gap, and 0.60 mm for the pad width, with a 0.20 mm offset from the edge.

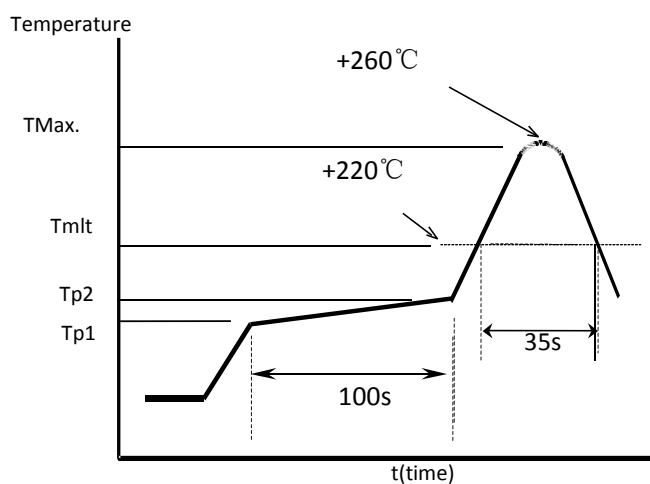
CRYSTAL UNIT

YSX1612SL *Small Size*

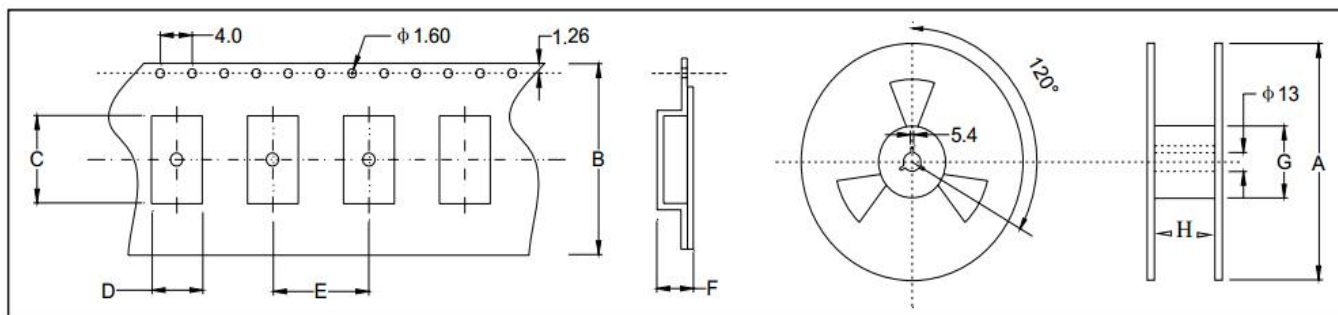


Reflow Soldering Profile

Pre Heating Temperature
 Tp1 ~ Tp2 = + 170 °C
 Heating Temperature
 TMLt = + 220 °C
 Peek Temperature
 TMax. = + 260 °C
 Point of measuring
 In case of Solder ability
 Terminal.
 In case of Resistance to soldering heat
 Surface.



Taping Specification(Unit: mm)



| Size | A | B | C | D | E | F | G | H |
|----------|---------|---------|----------|----------|---------|----------|----------|---------|
| SMD-1612 | 180±2.0 | 8.0±0.3 | 1.85±0.1 | 1.90±0.1 | 4.0±0.1 | 0.45±0.1 | 61.0±1.0 | 8.0±1.0 |

3000 pcs per reel